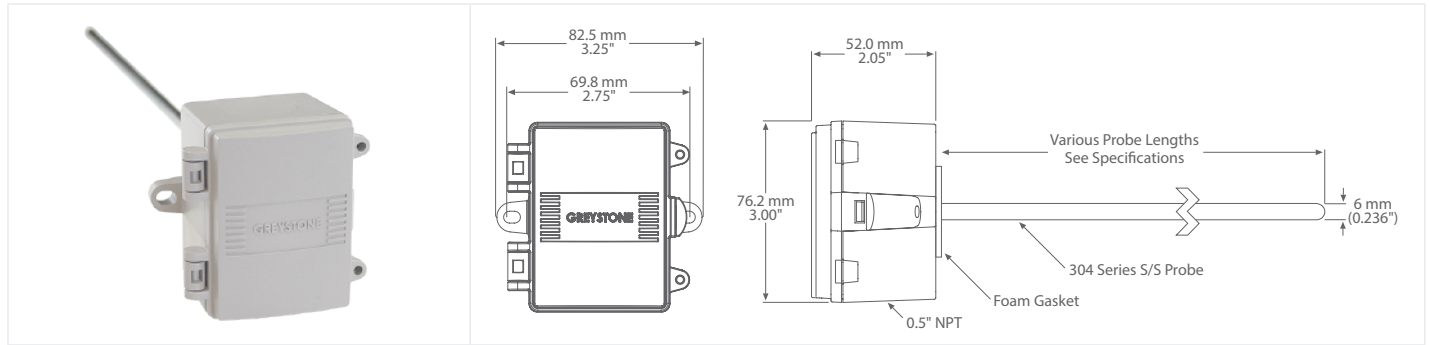




HIGH ACCURACY ALL PURPOSE TEMPERATURE TRANSMITTER



HATXAP SERIES

PRODUCT DESCRIPTION

The high accuracy all purpose temperature transmitter utilizes a precision sensor encapsulated in a 6 mm (0.236") OD, 304 series stainless steel probe and is available in various lengths (see ordering chart). All probes provide excellent heat transfer, fast response and resistance to moisture penetration. A transmitter that provides a high accuracy signal with excellent long term stability, low hysteresis and fast response is available with various ranges is provided.

TYPICAL INSTALLATION

For complete installation and wiring details, please refer to the product installation instructions.

In duct applications the probes are installed in the side of the duct to monitor a single point temperature within the duct. Select a probe length that allows the probe to span the duct width. Install the probe in a straight section of duct at a suitable distance downstream from any heating, cooling, or humidification devices. The enclosure provides mounting tabs for ease of installation.

For immersion applications ensure the probe is installed in the appropriate length thermowell for the pipe size. Thermal conductive compound should be added inside the thermowell to provide optimum thermal transfer.

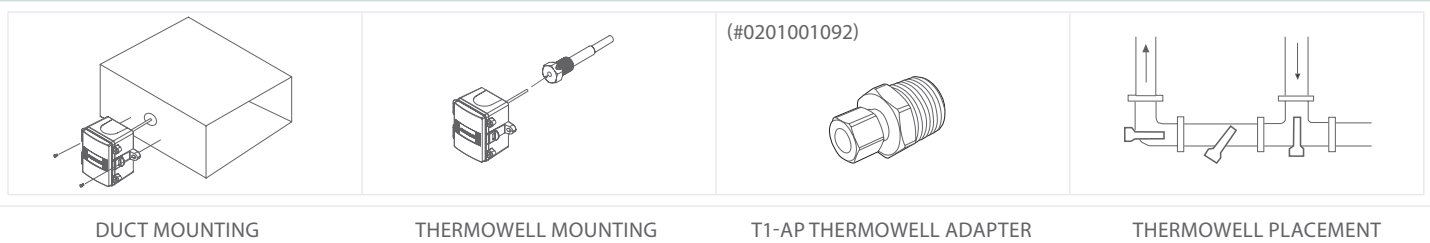
For immersion applications, a T2 Series thermowell is required. When using with a T1 series thermowell an adapter will be required (#0201001092).

SPECIFICATIONS

SENSOR TYPE	1000Ω Platinum, IEC 751, 385 Alpha, thin film
SENSOR ACCURACY (ACCURACIES LISTED ARE APPLICABLE TO SENSING ELEMENT ONLY)	RTD Class A: ±0.15°C (±0.27°F) @ 0°C (32°F) RTD 1/3 DIN: ±0.1°C (±0.18°F) @ 0°C (32°F) RTD 1/10 DIN: ±0.03°C (±0.054°F) @ 0°C (32°F)
PROBE SENSING RANGE	-20 to 100°C (-4 to 212°F)
WIRE MATERIAL	FT-4, 22 AWG
PROBE MATERIAL	304 series stainless steel
PROBE DIAMETER	6 mm (0.236")
STANDARD LENGTHS	50, 100, 150, 200, 300, and 400 mm (2', 4', 6', 8', 12', and 18")
OUTPUT SIGNAL	4-20 mA current loop, 0-5 Vdc, or 0-10 Vdc (factory configured)
TRANSMITTER ACCURACY	±0.1% of span, including linearity
OUTPUT DRIVE @ 24 VDC	Current: 600 Ω maximum Voltage: 10 KΩ minimum
INTERNAL ADJUSTMENT	ZERO and SPAN Pots
POWER SUPPLY	0-5 Vdc: 10-35 Vdc or 10-28 Vdc 0-10 Vdc: 15-35 Vdc or 15-28 Vdc 4-20 mA: 15-35 Vdc (loop-powered) or 22-28 Vdc
CURRENT CONSUMPTION	Current: 20 mA Voltage: 5 mA
MAXIMUM CURRENT (VOLTAGE)	5 mA nominal
MAXIMUM OUTPUT (VOLTAGE)	Limited to <5.5 Vdc or 0-5 Vdc, <10.5 for 0-10 Vdc
INPUT VOLTAGE EFFECT	Negligible over specified operating range
PROTECTION CIRCUITRY	Reverse voltage protected and output limited
AMBIENT OPERATING RANGE	-40 to 50°C (-40 to 122°F), 5 to 95 %RH non-condensing
ENCLOSURE	A: ABS, UL94-V0, IP65 (NEMA 4X) E: Same as A, with thread adapter (1/2" NPT to M16), and cable gland fitting
TERMINATION	Screw terminal block (14 to 22 AWG)
APPROVALS	CE
COUNTRY OF ORIGIN	Canada

NOTE: This product is factory calibrated and any field adjustment will void the warranty.

MOUNTING STYLES

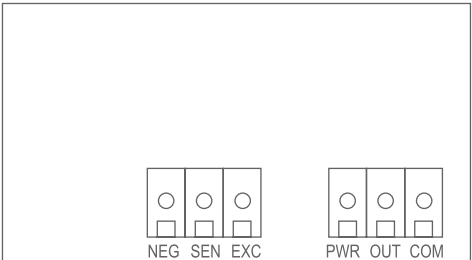




ACCESSORIES - INCLUDED WITH E ENCLOSURE OPTION

		
CABLE GLAND FITTING	THREAD ADAPTER 1/2" NPT TO M16	

WIRING INFORMATION

	<table border="0"> <tr> <th>TERMINAL</th> <th>FUNCTION</th> </tr> <tr> <td>PWR</td> <td>Power Supply</td> </tr> <tr> <td>OUT</td> <td>Analog Output</td> </tr> <tr> <td>COM</td> <td>Common</td> </tr> <tr> <td>NEG</td> <td rowspan="3">Temperature Sensor Input</td> </tr> <tr> <td>SEN</td> </tr> <tr> <td>EXC</td> </tr> </table>	TERMINAL	FUNCTION	PWR	Power Supply	OUT	Analog Output	COM	Common	NEG	Temperature Sensor Input	SEN	EXC
TERMINAL	FUNCTION												
PWR	Power Supply												
OUT	Analog Output												
COM	Common												
NEG	Temperature Sensor Input												
SEN													
EXC													

ORDERING

PRODUCT	HATXAP	High Accuracy All Purpose Duct/Immersion Temperature Transmitter
ENCLOSURE	A E	ABS, with hinged and gasketed cover Same as A, with thread adapter and cable gland fitting
SENSOR	18 48 22	1000 Ω Platinum, IEC 751, 385 Alpha, thin film, Class A 1000 Ω Platinum, IEC 751, 385 Alpha, thin film, 1/3 DIN 1000 Ω Platinum, IEC 751, 385 Alpha, thin film, 1/10 DIN
PROBE LENGTH	A B C D E F	50mm (2") 100mm (4") 150mm (6") 200mm (8") 300mm (12") 450mm (18")
OUTPUT	A D E	4-20 mA 0-5 Vdc 0-10 Vdc
SCALED RANGE	001 002 003 *	0 to 35°C (32 to 95°F) 0 to 50°C (32 to 122°F) 0 to 100°C (32 to 212°F) Additional ranges available

PART NUMBER

HATXAP

NOTE: Greystone Energy Systems, Inc. reserves the right to make design modifications without prior notice.